

PART NAME

TRANSPARENT BLUE NEMA ENCLOSURE

PART No.

BT-2742

UL FILE #194432

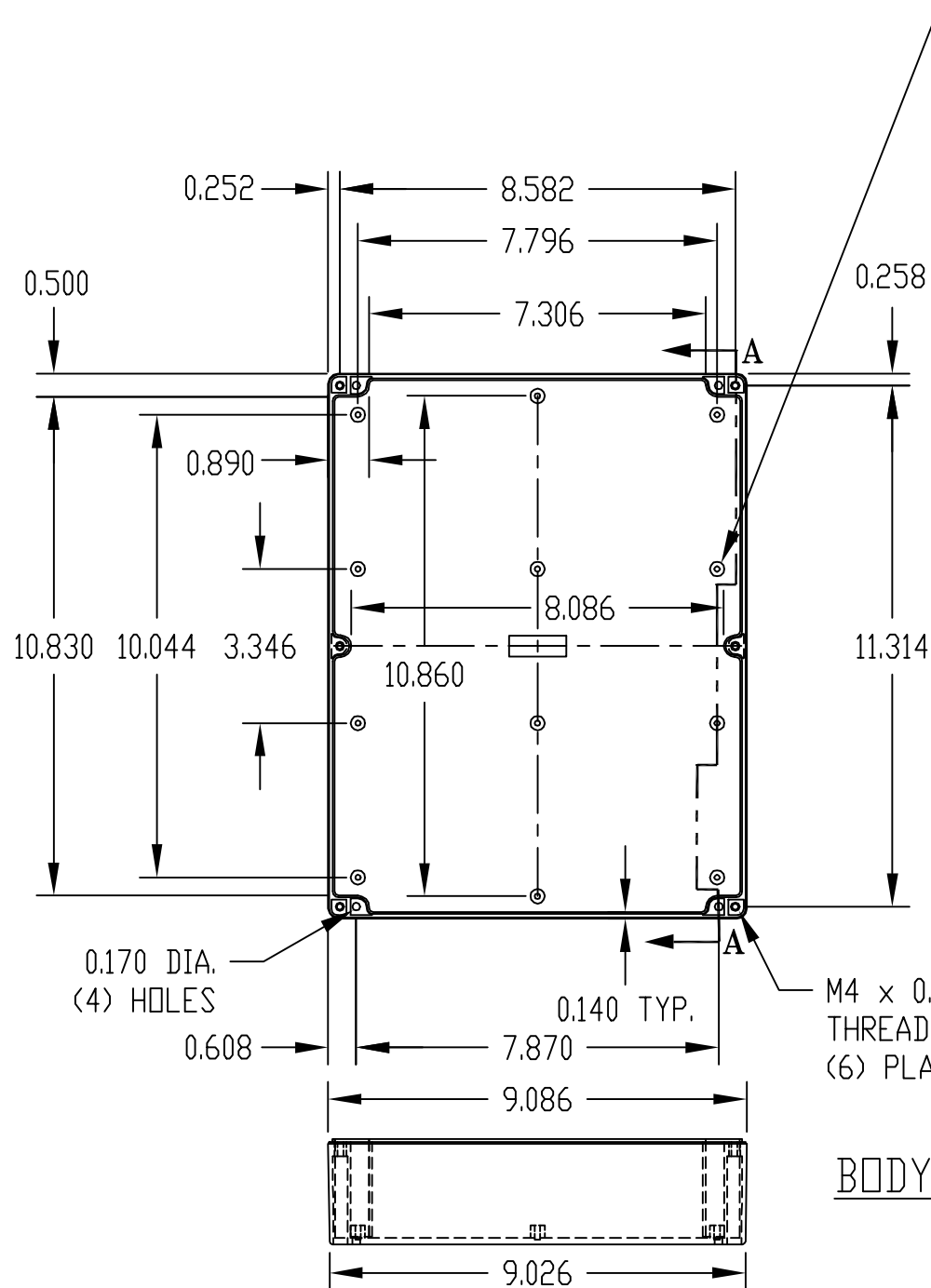
MATERIAL:

POLYCARBONATE, TRANSPARENT BLUE

UL94V-2 FLAMMABILITY RATING

UV STABILIZED

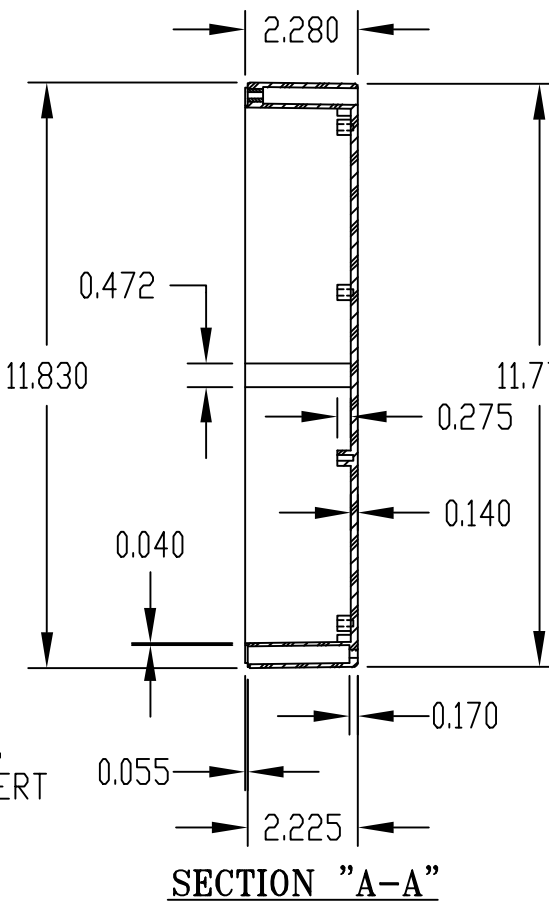
SERVICE TEMPERATURE RANGE: -40°C TO +120°C



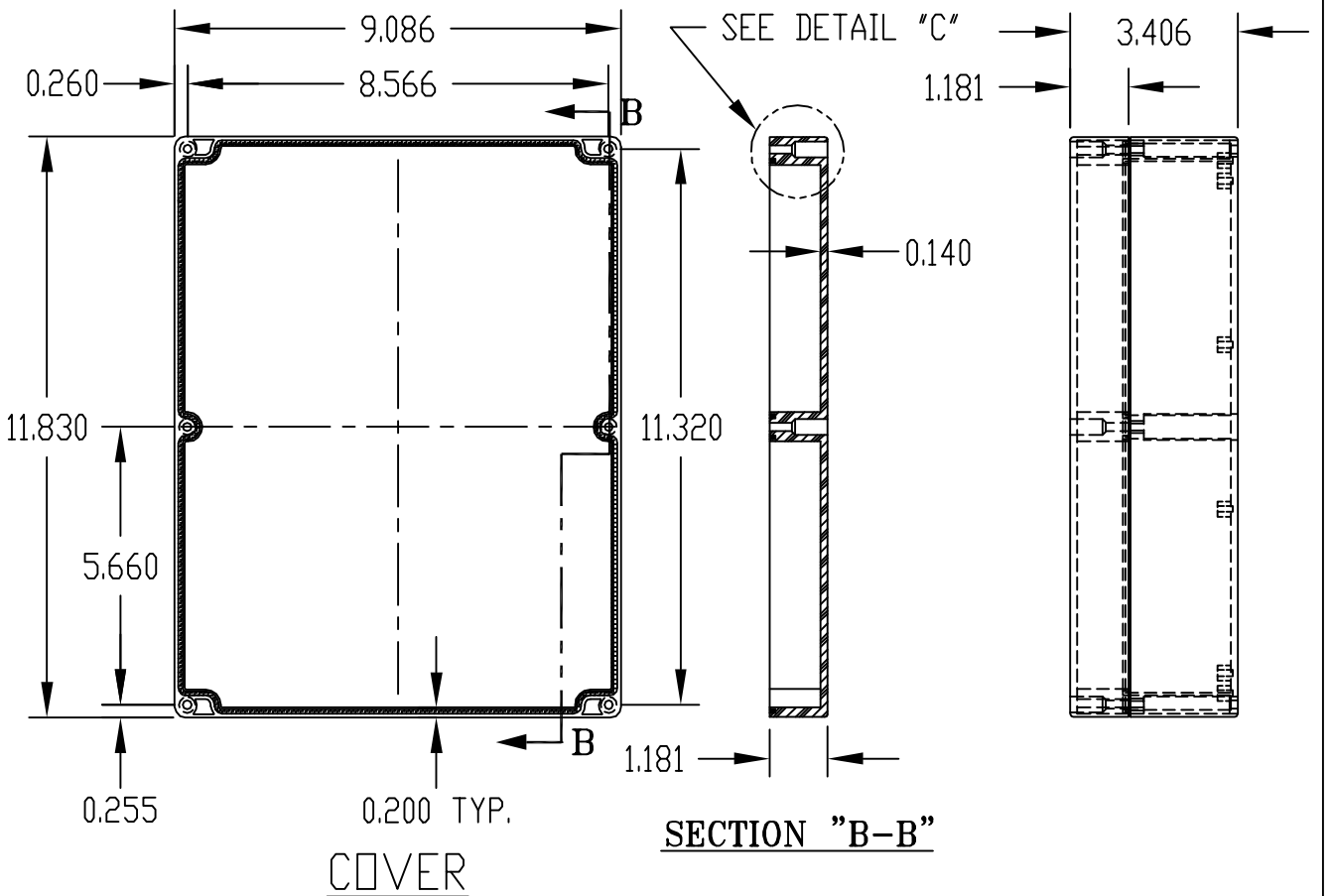
0.315 DIA. BOSS WITH  
0.120 DIA. HOLE x 0.320 DEEP  
(12) PLACES  
MOUNTING BOSSES USE EITHER  
M3 METRIC OR #6 STD. SHEET  
METAL SCREWS x 0.312 LG.  
(NOT SUPPLIED)

M4 x 0.315 LG.  
THREADED INSERT  
(6) PLACES

BODY

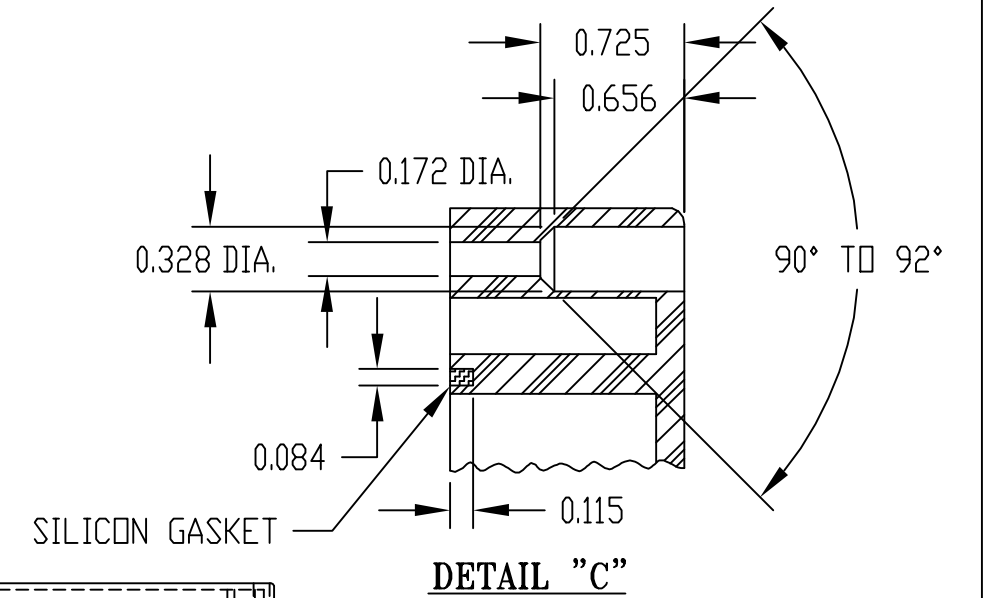


SECTION "A-A"



SECTION "B-B"

COVER



NOTE: ALL DIMENSIONS HAVE ±0.015 TOLERANCE UNLESS OTHERWISE SPECIFIED.

HARDWARE KIT
KIT CONTAINS (6) M4 x 25mm (1.000") LG. SCREWS FOR ASSEMBLY